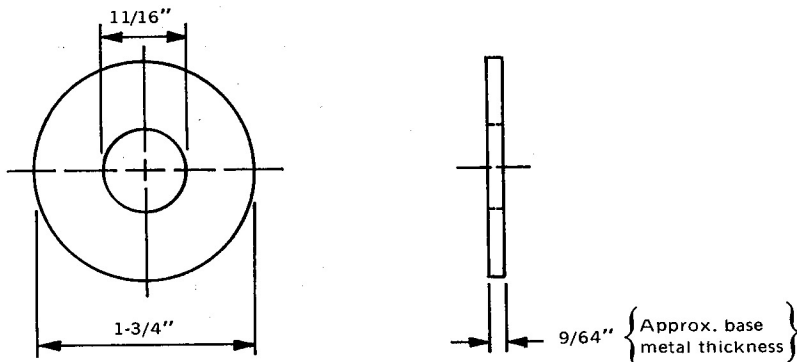


SPECIFICATIONS

Washers shall be made of steel and shall be galvanized in accordance with the requirements of A.S.T.M. A153 except when corrosion resistant steel is requested in which case the washers shall be made of steel having an atmospheric corrosion resistance approximately two times that of carbon structural steel with copper and shall not be galvanized. They shall meet the dimensional requirements of ANSI B27.2 Type A Plain Washers. No punching, drilling, or cutting will be permitted after galvanizing.

INTENDED USE

This washer is for use where round washers are required with 5/8-inch diameter bolts in the corrugated sheet steel beam guardrail and median barrier designs G4, G9, MB4, MB4B, MB9, MB9B, and BCT.



STEEL WASHER

WASHER FOR 5/8" BOLT

HM-TF-13

STANDARD

F-13-73